

THIS INSTRUCTION BOOKLET CONTAINS
IMPORTANT SAFETY INFORMATION. PLEASE
READ AND KEEP FOR FUTURE REFERENCE.



DO NOT RETURN PRODUCT TO THE STORE
Individual stores do not stock parts.

Lot Number: _____

Date Of Purchase: ____/____/____

If a part is missing or damaged, call our toll-free customer service line.
We will gladly ship your replacement parts FREE of charge.

Need Parts or Assistance?

1-800-489-3351
or access our website
www.altrafurniture.com

For prompt, reliable service please have your assembly manual ready.

Recommended # of people needed for assembly:2
(However it is always better to have an extra hand.)

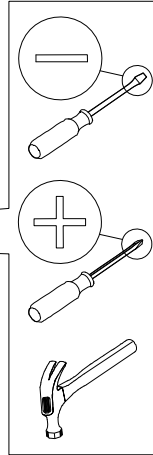
Spanish translations are located in the center of this manual.

Thank you for purchasing from ALTRA FURNITURE.

Visit www.altrafurniture.com to view the limited warranty valid in the U.S. and Canada.

BEFORE STARTING

- Read each step carefully before starting. It is very important that each step of instruction is performed in the correct order. If these steps are not followed in sequence, assembly difficulties will occur.
- Make sure all parts are included. Most board parts are labeled or stamped on the raw edge.
- Work in spacious area, preferably on a carpet, near the place the unit will be used.
- Have the following tools close at hand.
- Do not use power tools to assemble your furniture. Power tools may strip or damage the parts.



HELPFUL HINTS

- Visitar nuestro website para mirar los videos cortos del montaje.
- Call our toll free number if you need assistance.
- Compression dowels are tapped in with a hammer.
- Back panels provide stability and support. Use all the nails provided. Units without the back panel installed may collapse.
- When tapping nails into a board, be sure there are equal margins on all side to square the unit.
- Move your new furniture carefully, with two people lift and carry the unit to its new location.
- Never push, drag or scoot your furniture (especially on carpet).
- Your ALTRAFURNITURE can be disassembled and reassembled to move.
- Additional parts are available for a nominal fee.

For help with assembly, identifying parts, product information or to order parts, please contact us:



Call us at: 1-800-489-3351

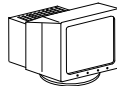
Monday-Friday
7:00 am - 8:00 pm
Saturday
9:00 am - 5:00 pm
(Central Time)



FAX:

1-636-745-1005

available 24 hours a day,
7 days a week



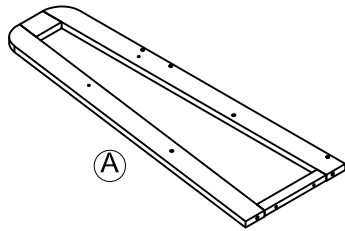
Visit our website:

www.altrafurniture.com

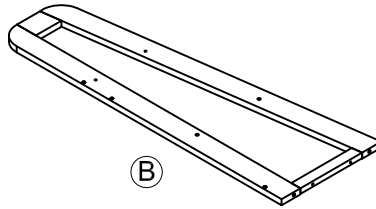


Write to:

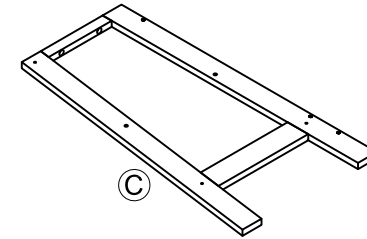
ALTRA FURNITURE
410 East 1st Street South
Wright City, MO 63390 USA
Attn: Service Dept.



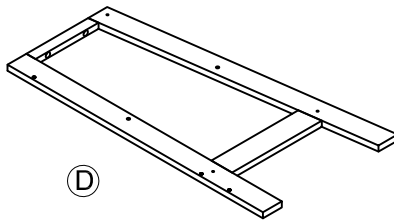
LEFT UPPER SIDE FRAME
T9606096010



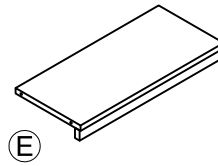
RIGHT UPPER SIDE FRAME
T9606096020



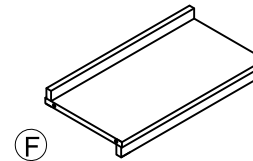
LEFT LOWER SIDE FRAME
T9606096030



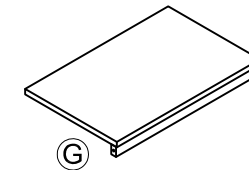
RIGHT LOWER SIDE FRAME
T9606096040



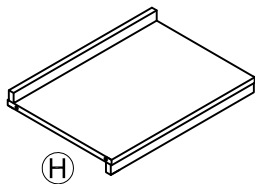
FIXED SHELF
T9606096050



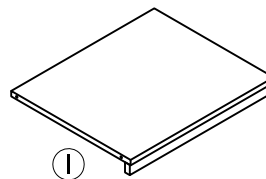
FIXED SHELF
T9606096060



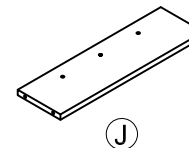
FIXED SHELF
T9606096070



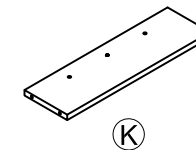
FIXED SHELF
T9606096080



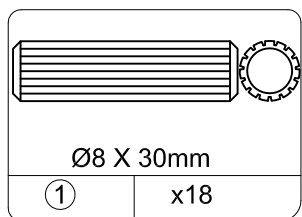
FIXED SHELF
T9606096090



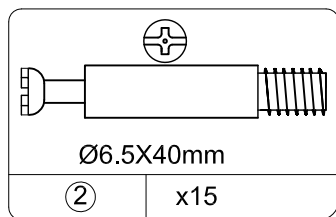
BACK PANEL
T9606096100
QTY:2



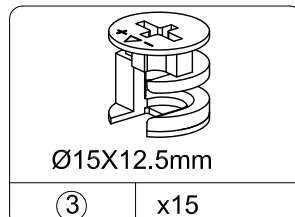
BACK PANEL
T9606096110



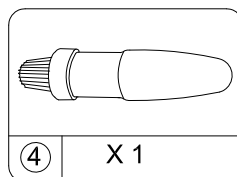
WOOD DOWEL
THX8201



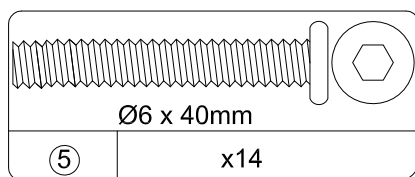
CAM BOLT
THX5201



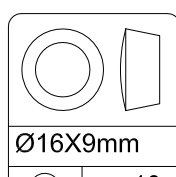
CAM LOCK
THX5101



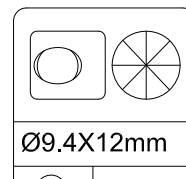
GLUE
THX9901



BOLT
THX4141



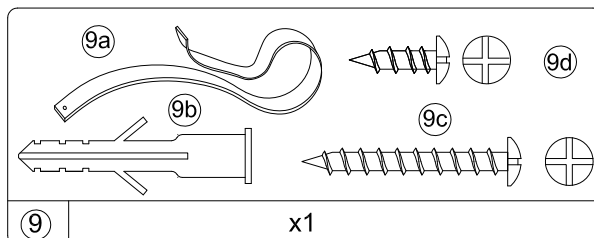
CAP
THX8502



NUT
THX5105

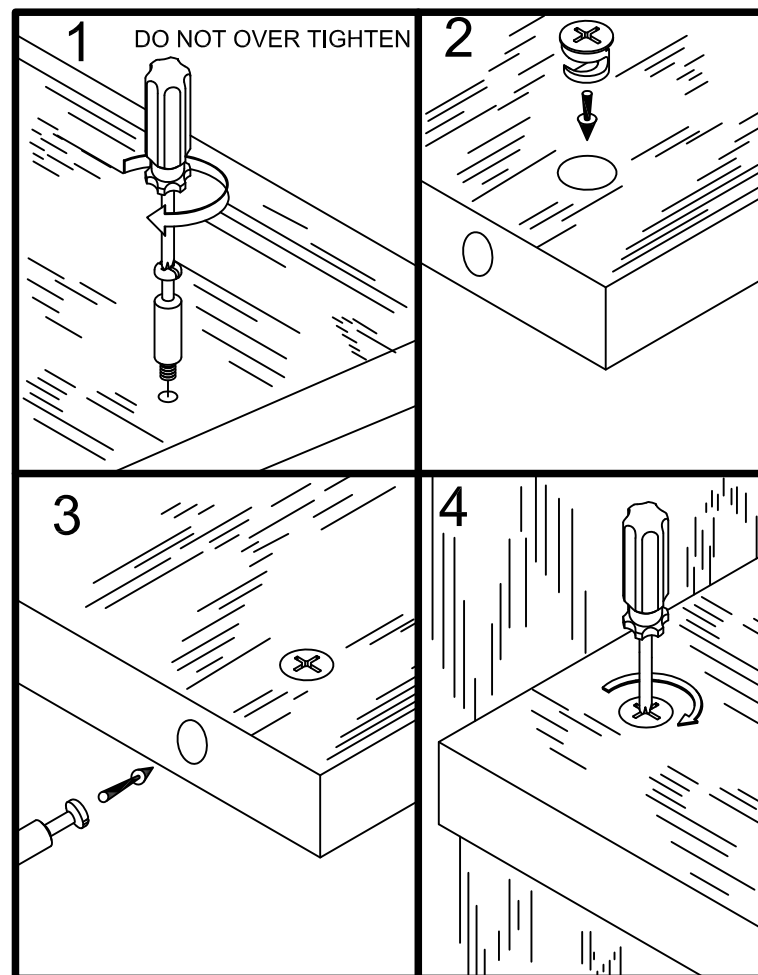


HEX KEY
THX7101



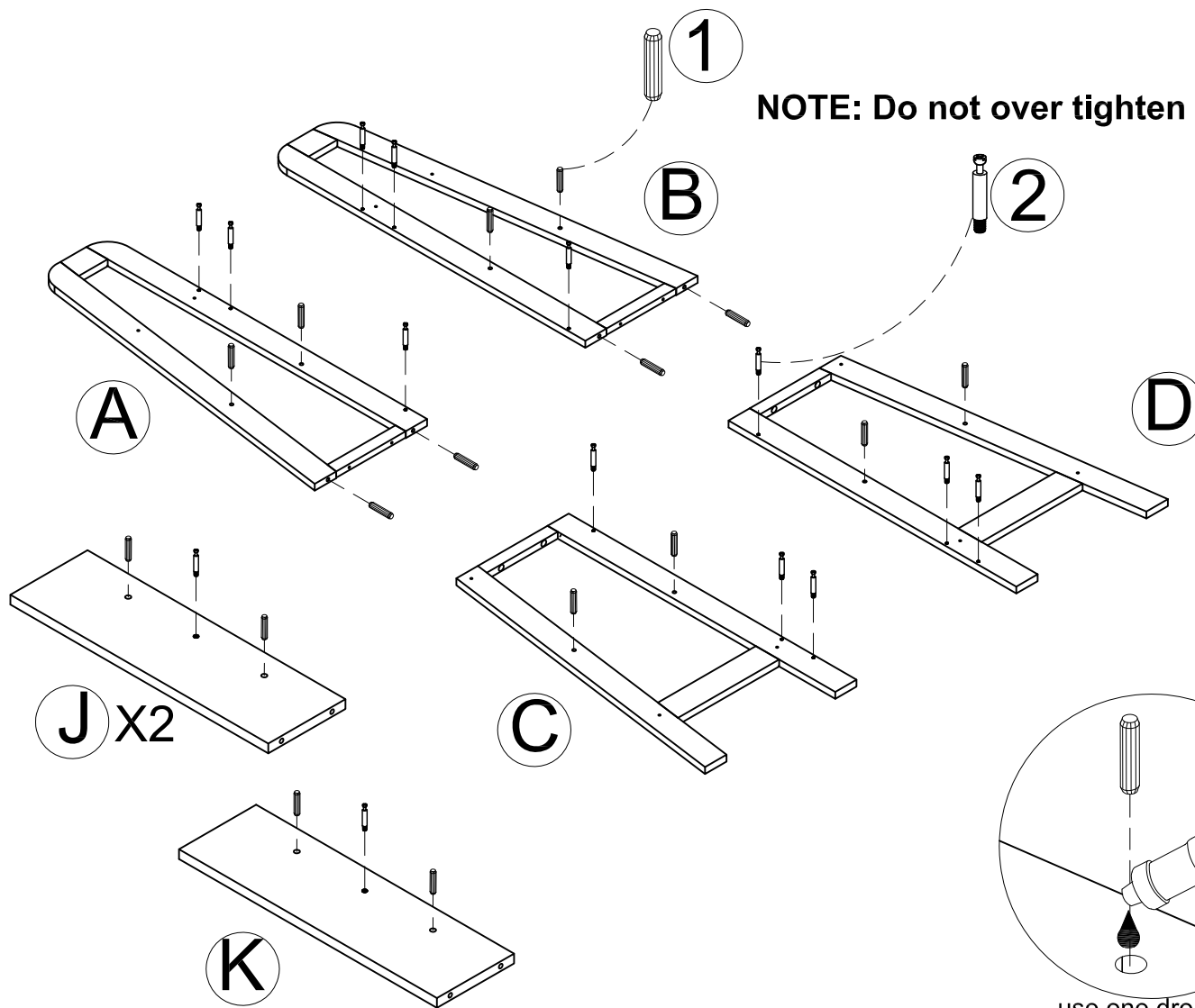
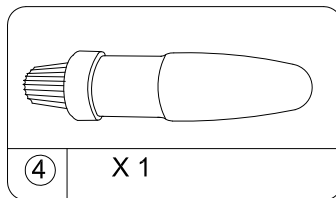
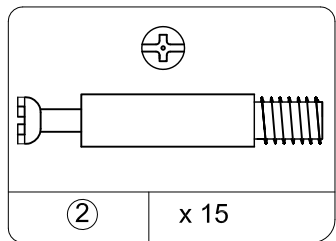
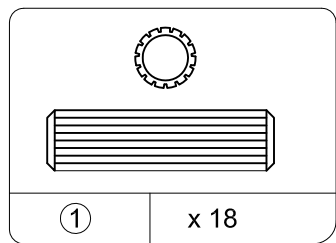
SAFETY STRAP KIT
THX9906

This illustration shows how the CAM fastening system works.

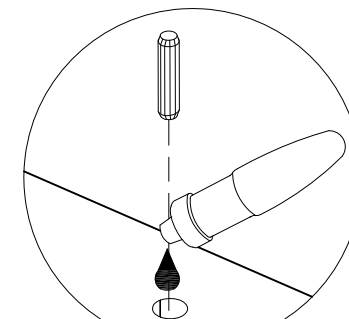


To view a video on how the CAM fastening system works, download a free QR-reader on your smartphone, then scan the code.

- # 1
- Insert wood dowels (1) into the holes of side frames (A&B&C&D) and back panel (J&K) as below shown.
 - Screw cam bolts (2) into the holes of side frames (A&B&C&D) and back panel (J&K) as below shown.



NOTE: Do not over tighten cam bolts.



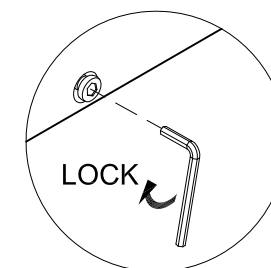
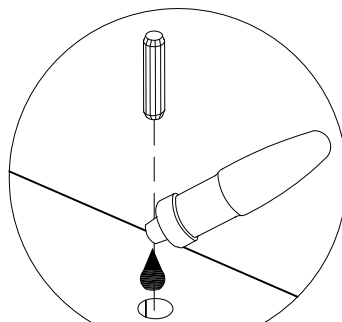
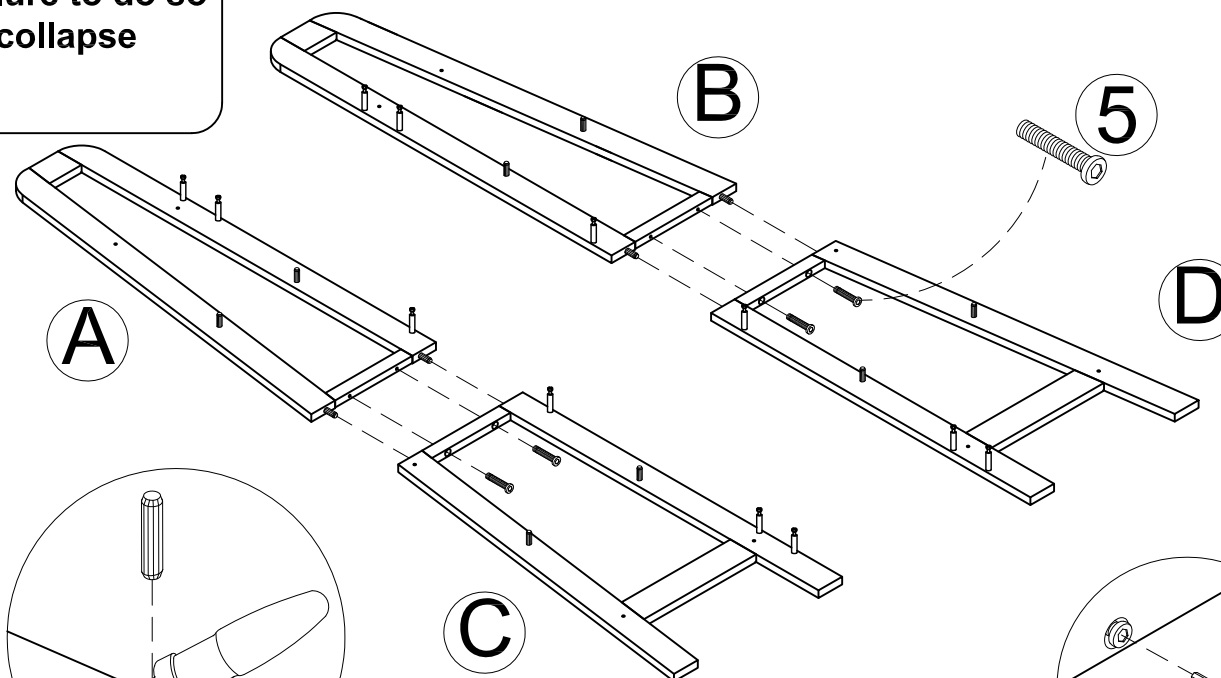
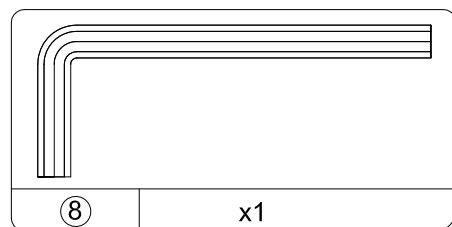
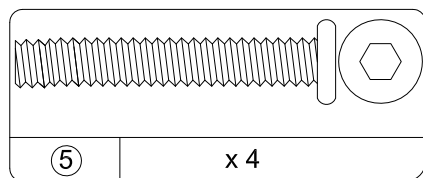
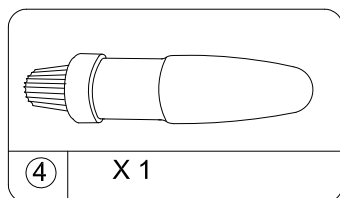
use one drop of glue in dowel hole.

2

- Attach left upper side frame (A) to left lower side frame (C) with two bolts (5) as below shown.
- Attach right upper side frame (B) to right lower side frame (D) with two bolts (5) as below shown.

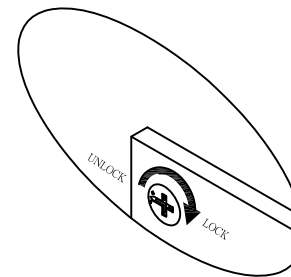
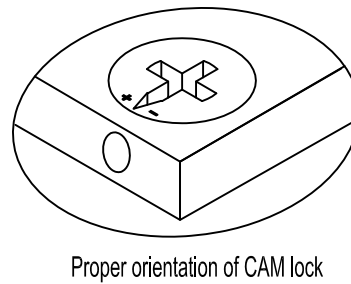
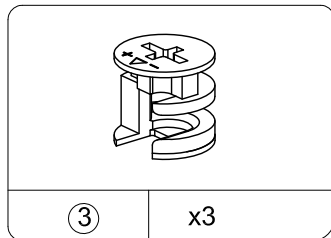
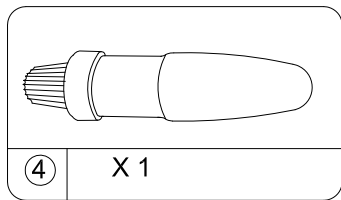
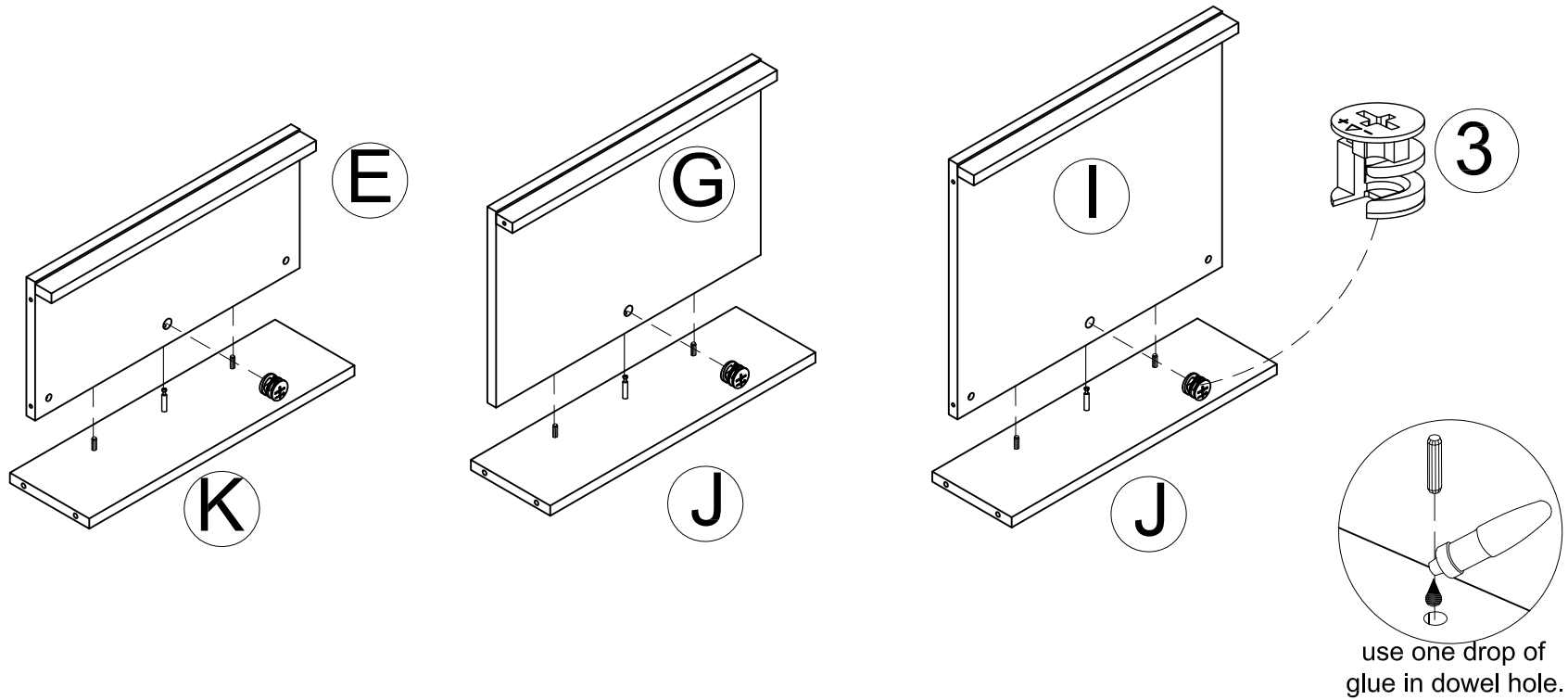
⚠ CAUTION

Bolts and glued dowels are integral part of this construction. Make sure that bolts are fully tightened and both sections of the side frame are securely attached. Failure to do so could cause instability, product collapse and/or serious injury.



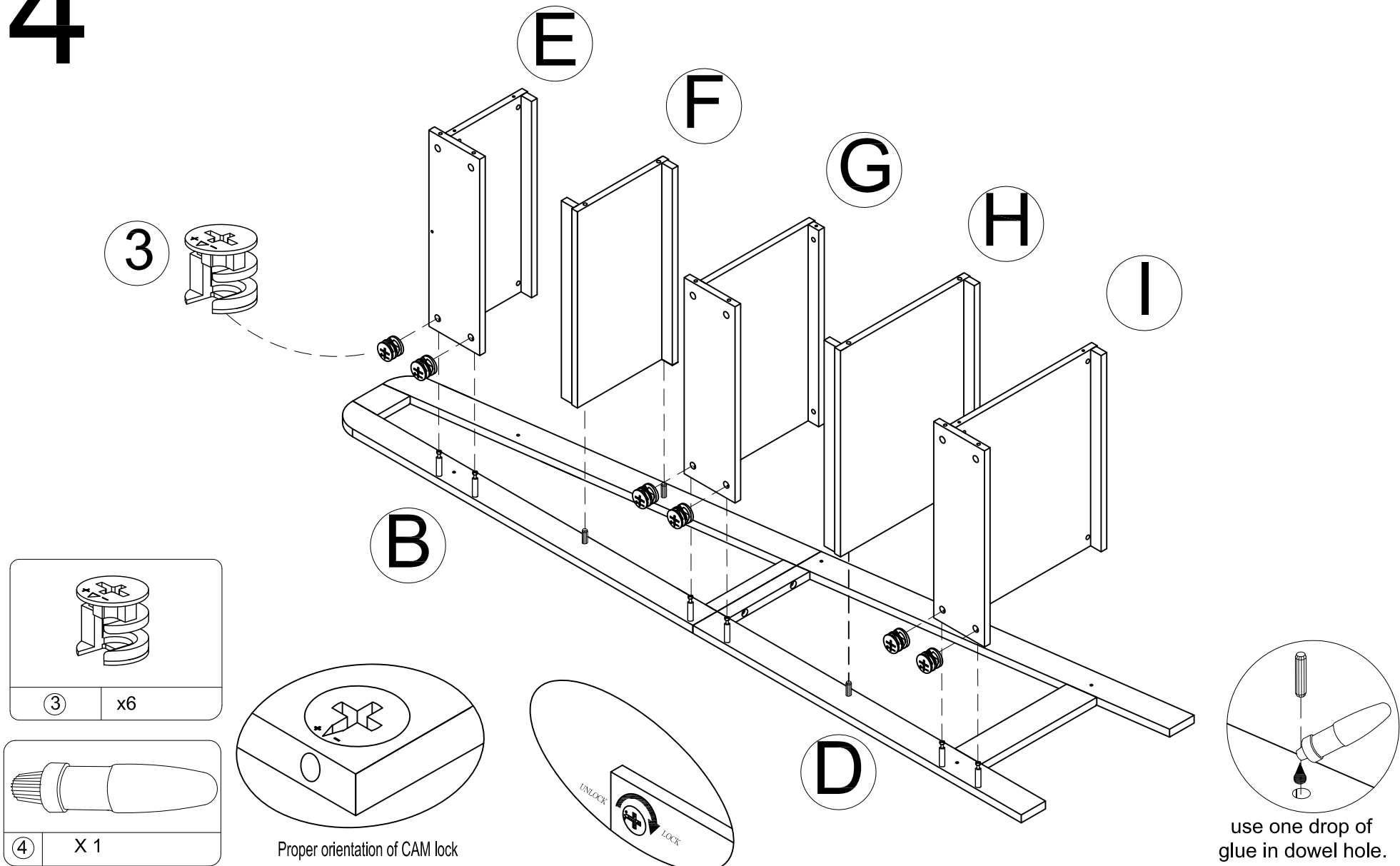
3

- Attach fixed shelves (E&G&I) to back panel (J&K) with cam lock (3) as below shown.



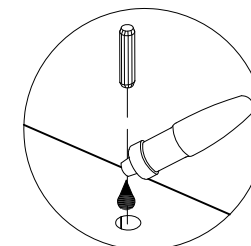
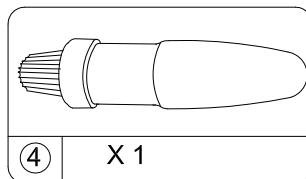
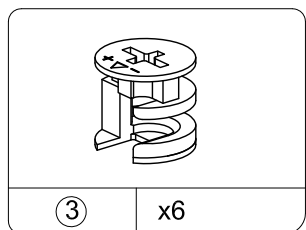
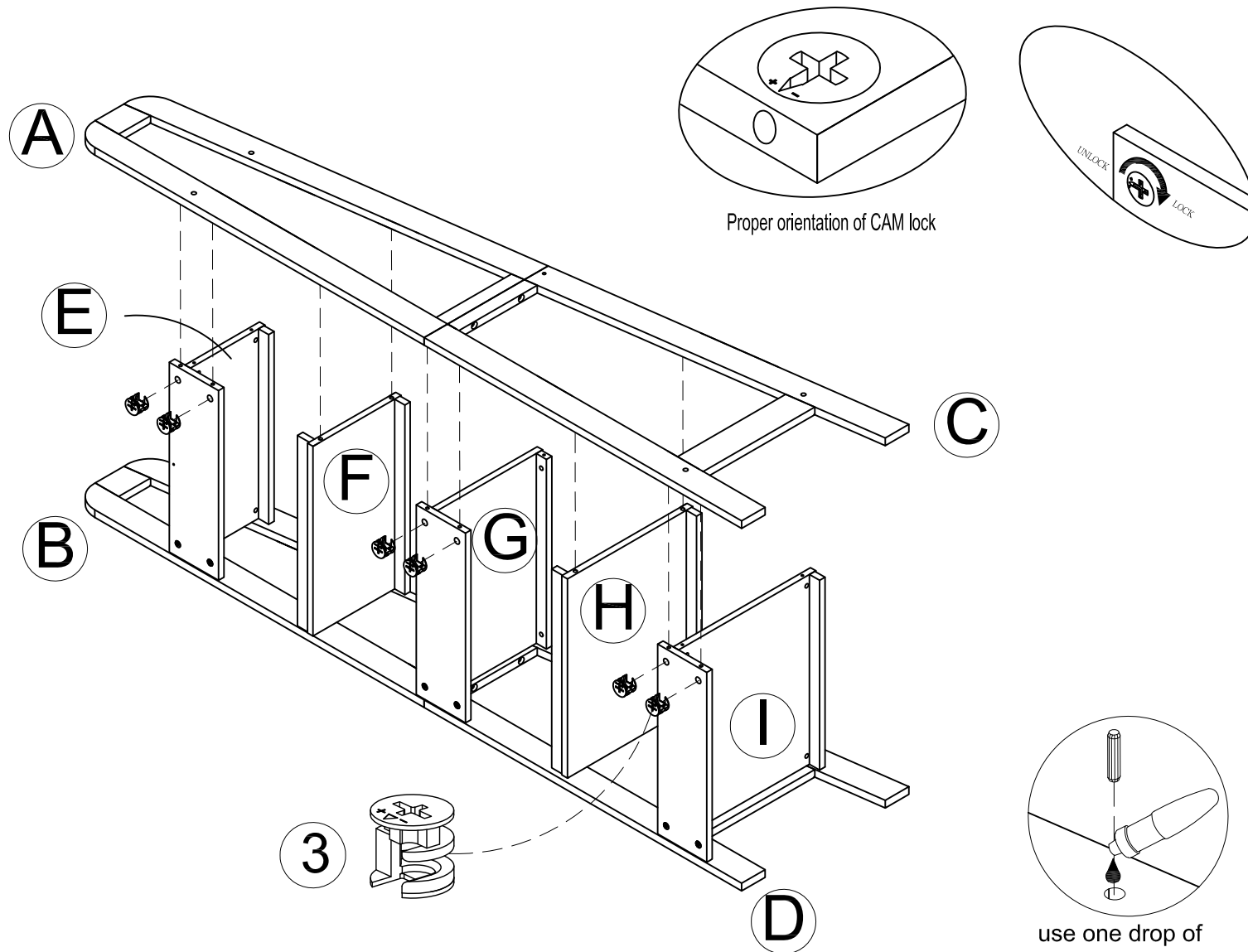
4

- Attach fixed shelves (E&F&G&H&I) to right side frames (B&D) with six cam locks (3) as below shown.



5

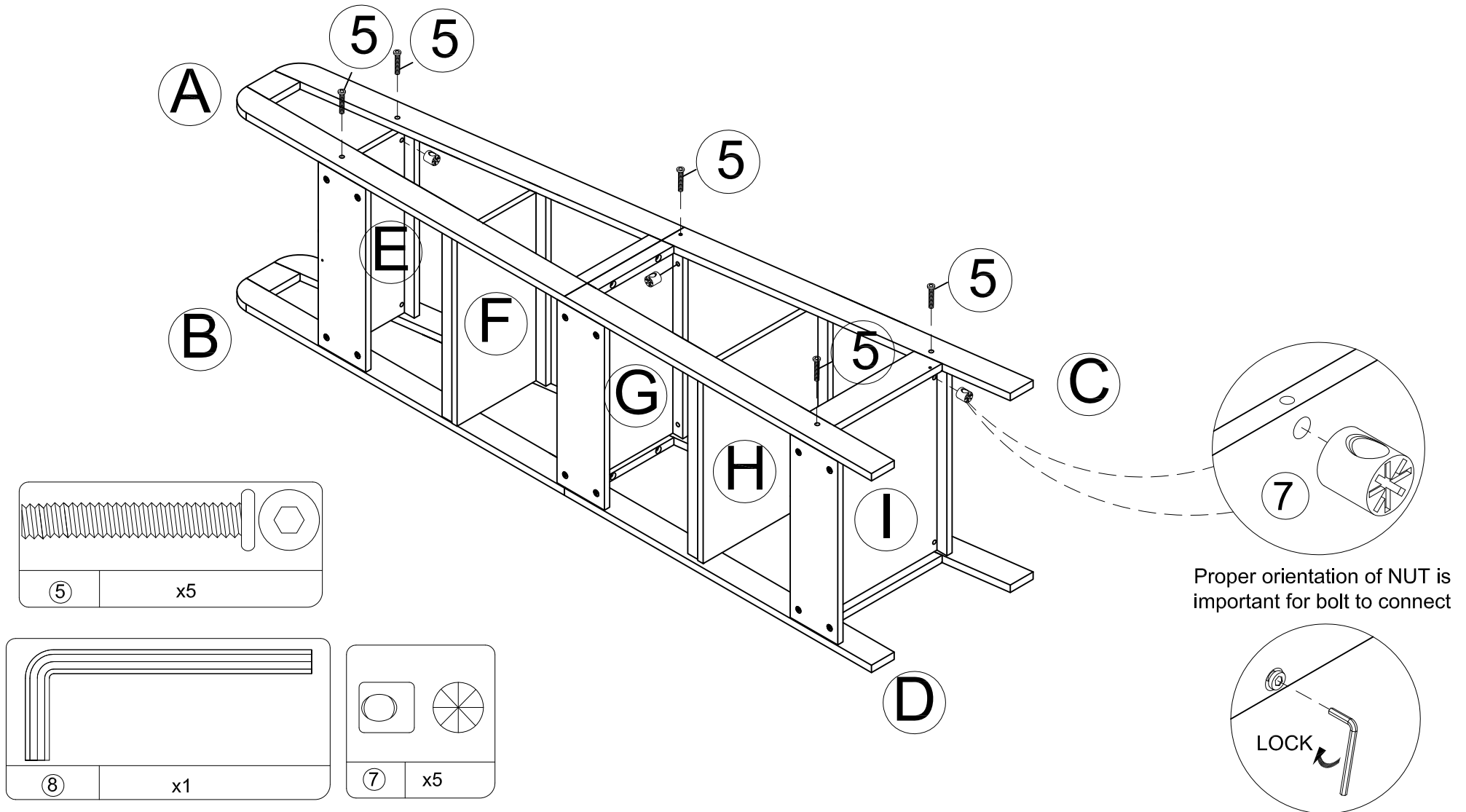
- Attach left side frames (A&C) to assembled unit with six cam locks (3) as below shown.



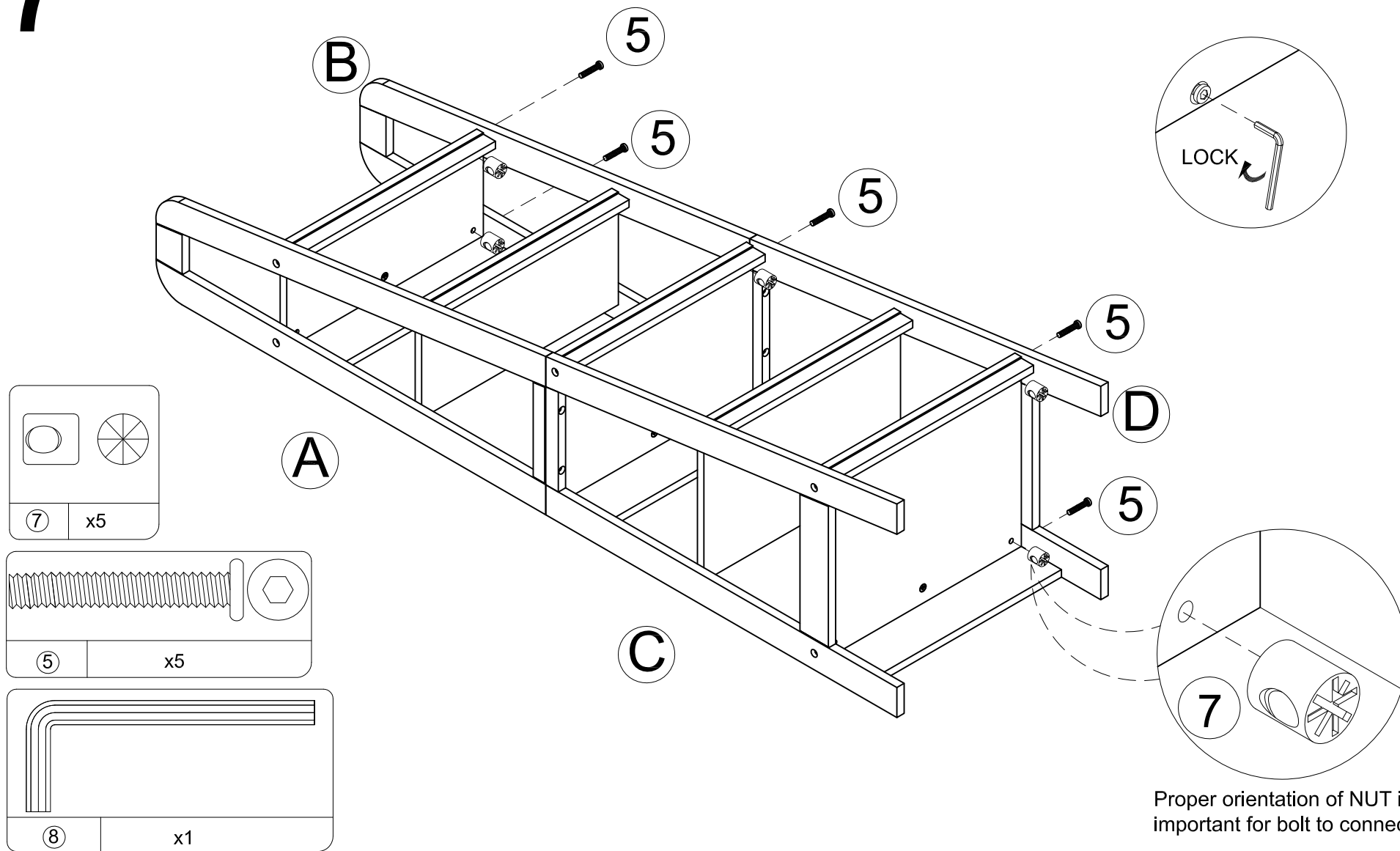
use one drop of glue in dowel hole.

6

- Insert five nuts (7) and fully tighten five bolts (5) to attach left side frame assembly (A&C) to assembled unit as below shown.



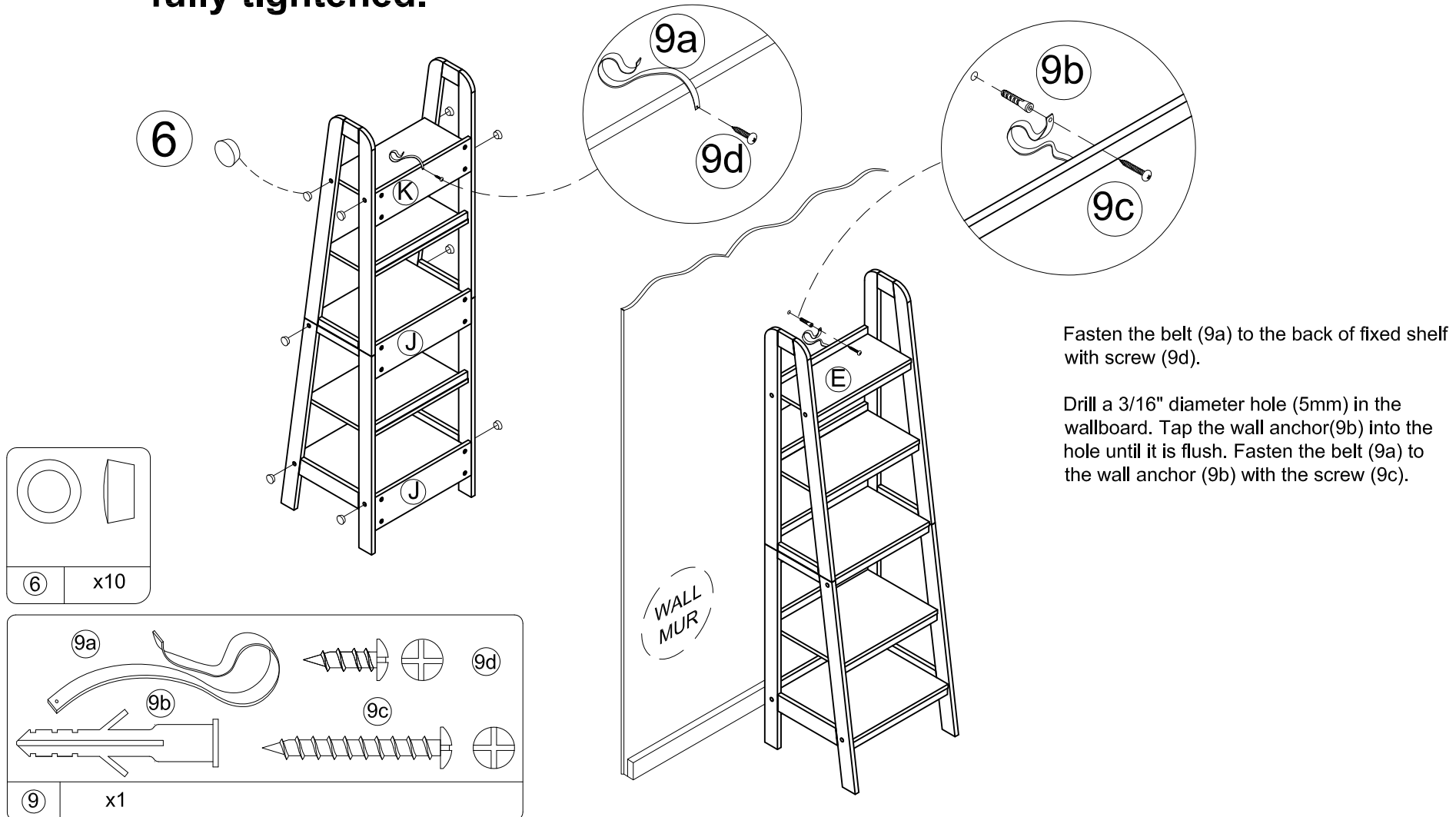
7 - Insert five nuts (7) and fully tighten five bolts (5) to attach right side frame assembly (B&D) to assembled unit as below shown.



8

- Insert ten caps (6) into the holes of side frames (A&B&C&D) as below shown.
- Attach safety strap kit (9) to furniture and wall as below shown.

Note: make sure all cams are securely locked and all bolts are fully tightened.



Call our toll free number for any assistance you should need or visit our website:

1-800-489-3351

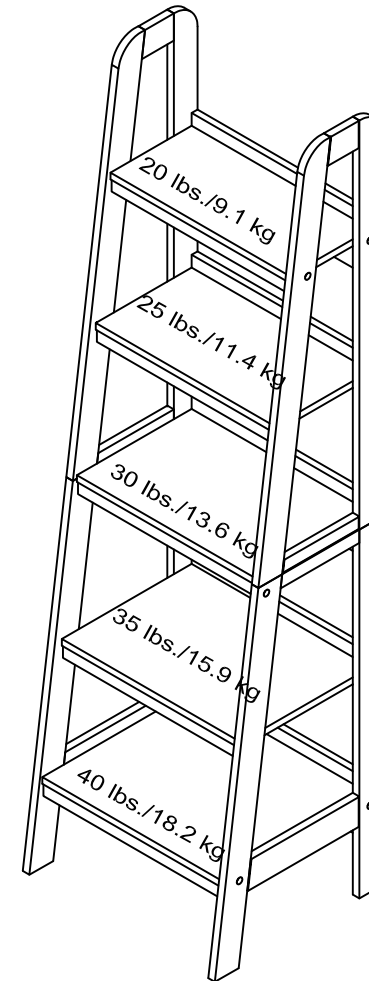
www.altrafurniture.com

WEIGHT LIMITS:

Clean the product with your favorite furniture polish and a soft cloth. Do not use harsh chemicals or abrasive cleaners.

Move your new furniture carefully with two people. Lift and carry the unit. Never push or drag the unit. Do not allow children to climb or play on the unit. Failure to comply could result in severe injury.

This unit has been designed to support the maximum loads shown. Exceeding these load limits could cause unit sagging, instability, product collapse and/or serious injury.



Enjoy Your Furniture